



AC Centrifugal Fan

Shyuan Ya's motorized Impellers feature a backward-curved centrifugal fan with an external-rotor motor. Each impeller is made of reinforced polyamide fiber glass and comes standard with long-life maintenance-free dual ball bearings. The blades have highly efficient inlet designs and reduced noise levels. This line comes in 18 models ranging from Ø155 to Ø250 mm, delivering up to 1024 cfm of airflow power.





Ø155x95mm BA155-95T Series AC Centrifugal Fan



Specification:

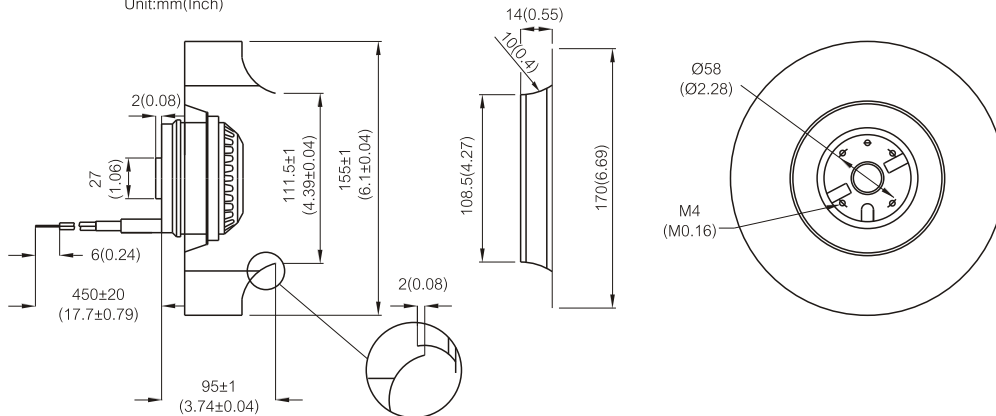
Air Flow	234 ~ 273 CFM
Impeller	Plastic PA (Polyamide Glass-fiber Reinforced)
Motor	Capacitor-Run Induction and External Rotor Motor
Rotor	Black Paint
Bearing	Dual Ball Bearing, Permanently Lubricated
Operating Voltage Range	85VAC to 125VAC for 115V Type 185VAC to 245 VAC for 230V Type
Lead Wire	AWG# 18 UL
Insulation	Class "B" or "F"
Safety	Thermally Protected (Auto Restart)
Operating Temperature	-20°C to +70°C
Weight	1200g



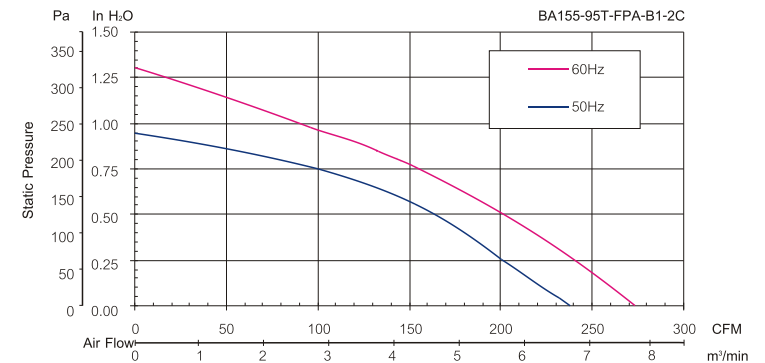
Item Code	Rated Voltage	Frequency (Hz)	Rated Current(A)	Input Power(W)	Speed (RPM)	Air Flow (CFM)	Air Flow (m³/min)	Static Pressure (inch-H ₂ O)	Noise dB(A)	Capacitor (µF)
BA1V155-95T-FPA-B1-2C	115V	50/60	0.34/0.34	34/39	2720/3120	234/270	6.6/7.6	0.95/1.31	62/65	4µF 200VAC
BA2V155-95T-FPA-B1-2C	230V	50/60	0.17/0.18	34/40	2730/3130	238/273	6.7/7.7	0.93/1.22	62/65	1µF 400VAC

Outline Drawing:

Unit:mm(Inch)



Characteristic Curves:





Ø155x110mm BA155-110T Series AC Centrifugal Fan



Specification:

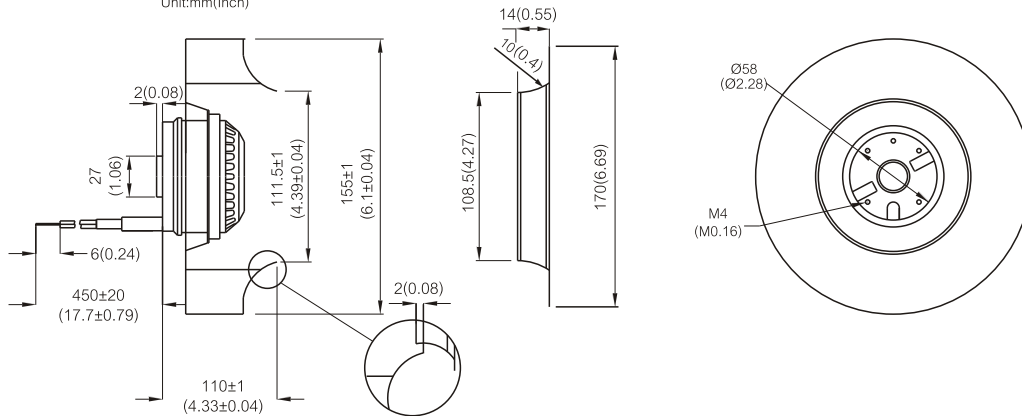
Air Flow	282 ~ 318 CFM
Impeller	Plastic PA (Polyamide Glass-fiber Reinforced)
Motor	Capacitor-Run Induction and External Rotor Motor
Rotor	Black Paint
Bearing	Dual Ball Bearing, Permanently Lubricated
Operating Voltage Range	85VAC to 125VAC for 115V Type 185VAC to 245 VAC for 230V Type
Lead Wire	AWG# 18 UL
Insulation	Class "B" or "F"
Safety	Thermally Protected (Auto Restart)
Operating Temperature	-20°C to +70°C
Weight	1250g



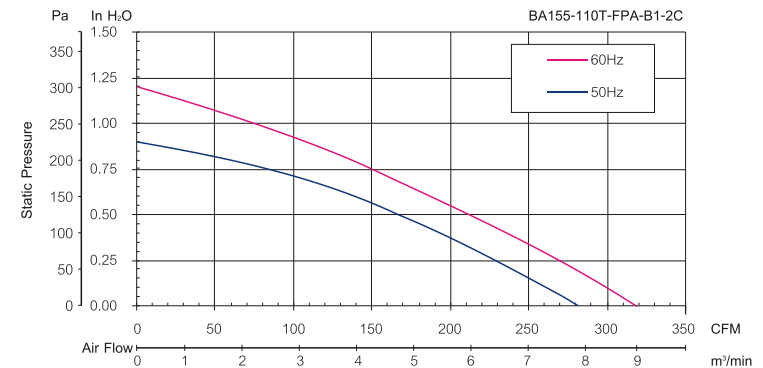
Item Code	Rated Voltage	Frequency (Hz)	Rated Current(A)	Input Power(W)	Speed (RPM)	Air Flow (CFM)	Air Flow (m³/min)	Static Pressure (inch-H ₂ O)	Noise dB(A)	Capacitor (µF)
BA1V155-110T-FPA-B1-2C	115V	50/60	0.34/0.36	35/42	2640/2980	282/318	8.0/9.0	0.90/1.20	61/64	4µF 200VAC
BA2V155-110T-FPA-B1-2C	230V	50/60	0.17/0.19	34/41	2660/2990	282/318	8.0/9.0	0.90/1.20	61/64	1µF 400VAC

Outline Drawing:

Unit:mm(Inch)



Characteristic Curves:





Ø175x69mm BA175-69T Series AC Centrifugal Fan



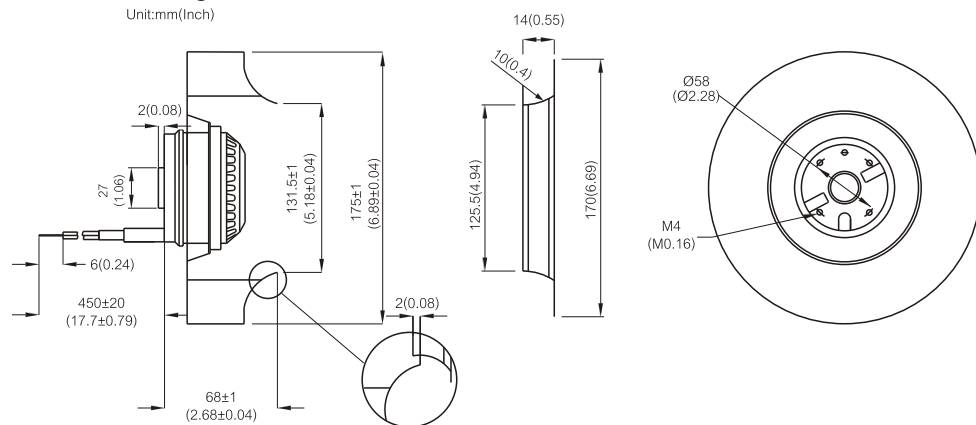
Specification:

Air Flow	287 ~ 331 CFM
Impeller	Plastic PA (Polyamide Glass-fiber Reinforced)
Motor	Capacitor-Run Induction and External Rotor Motor
Rotor	Black Paint
Bearing	Dual Ball Bearing, Permanently Lubricated
Operating Voltage Range	85VAC to 125VAC for 115V Type 185VAC to 245 VAC for 230V Type
Lead Wire	AWG# 18 UL
Insulation	Class "B" or "F"
Safety	Thermally Protected (Auto Restart)
Operating Temperature	-20°C to +70°C
Weight	1270g

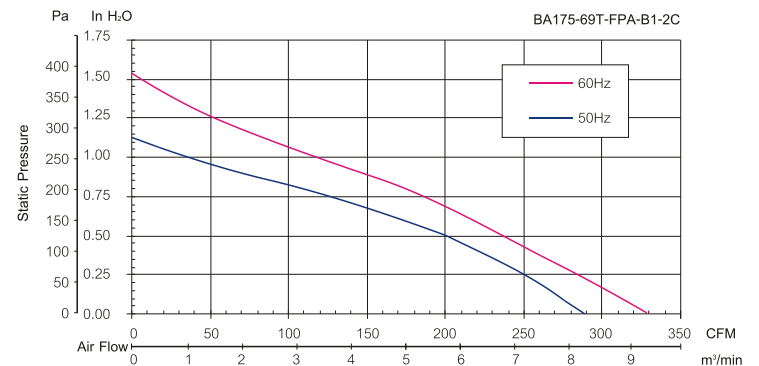


Item Code	Rated Voltage	Frequency (Hz)	Rated Current(A)	Input Power(W)	Speed (RPM)	Air Flow (CFM)	Air Flow (m³/min)	Static Pressure (inch-H ₂ O)	Noise dB(A)	Capacitor (µF)
BA1V175-69T-FPA-B1-2C	115V	50/60	0.43/0.46	46/53	2650/2990	289/331	8.2/9.4	1.13/1.54	64/67	5µF 200VAC
BA2V175-69T-FPA-B1-2C	230V	50/60	0.23/0.23	49/54	2630/3000	287/331	8.1/9.4	1.13/1.54	64/67	1.5µF 400VAC

Outline Drawing:



Characteristic Curves:





Ø175x84mm BA175-84T Series AC Centrifugal Fan



Specification:

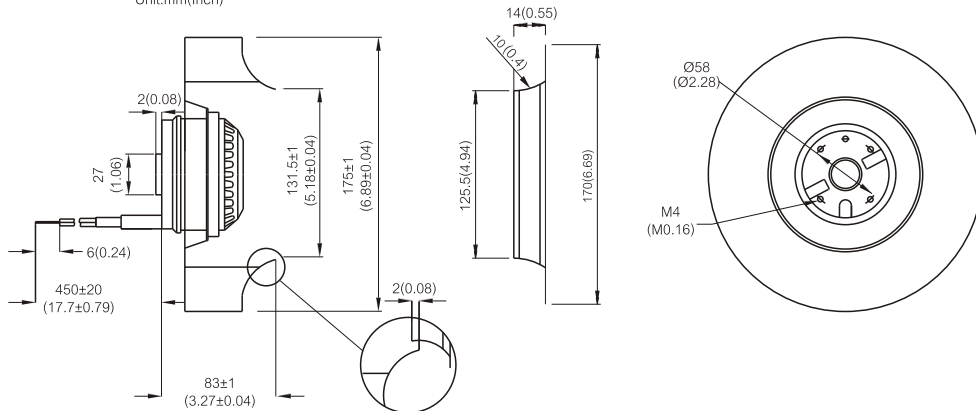
Air Flow	348 ~ 389 CFM
Impeller	Plastic PA (Polyamide Glass-fiber Reinforced)
Motor	Capacitor-Run Induction and External Rotor Motor
Rotor	Black Paint
Bearing	Dual Ball Bearing, Permanently Lubricated
Operating Voltage Range	85VAC to 125VAC for 115V Type 185VAC to 245 VAC for 230V Type
Lead Wire	AWG# 18 UL
Insulation	Class "B" or "F"
Safety	Thermally Protected (Auto Restart)
Operating Temperature	-20°C to +70°C
Weight	1280g



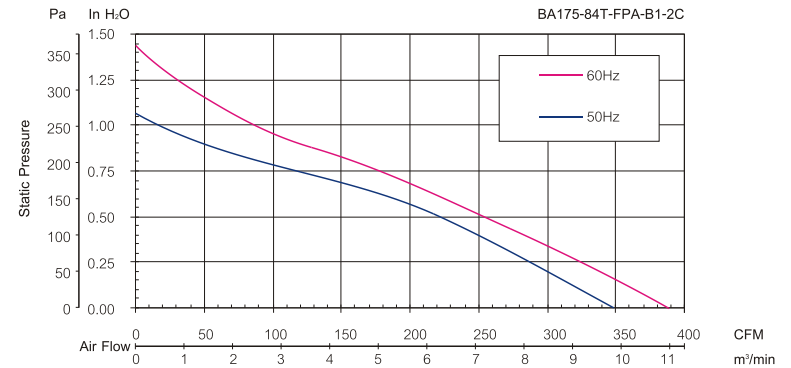
Item Code	Rated Voltage	Frequency (Hz)	Rated Current(A)	Input Power(W)	Speed (RPM)	Air Flow (CFM)	Air Flow (m³/min)	Static Pressure (inch-H₂O)	Noise dB(A)	Capacitor (µF)
BA1V175-84T-FPA-B1-2C	115V	50/60	0.45/0.49	48/57	2540/2820	348/389	9.9/11.0	1.07/1.44	63/67	5µF 200VAC
BA2V175-84T-FPA-B1-2C	230V	50/60	0.24/0.25	51/58	2540/2840	348/389	9.9/11.0	1.07/1.44	63/67	1.5µF 400VAC

Outline Drawing:

Unit:mm(Inch)



Characteristic Curves:





Ø175x95mm BA175-95T Series AC Centrifugal Fan



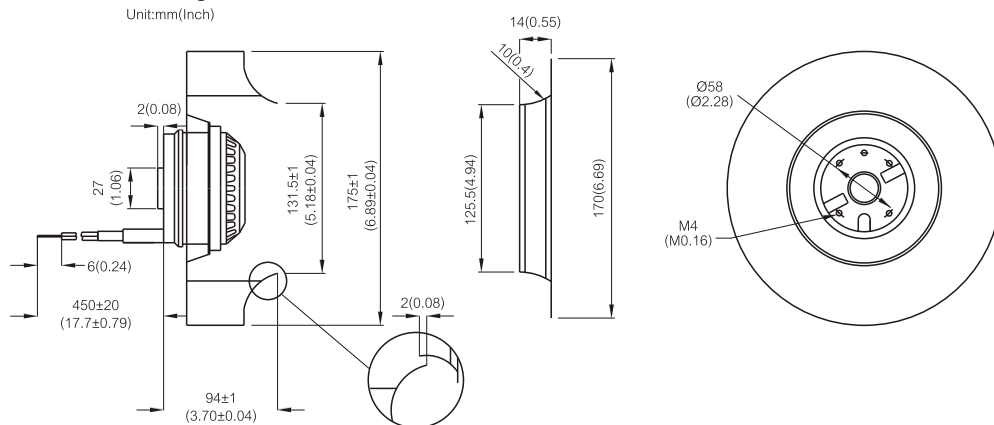
Specification:

Air Flow	371 ~ 421 CFM
Impeller	Plastic PA (Polyamide Glass-fiber Reinforced)
Motor	Capacitor-Run Induction and External Rotor Motor
Rotor	Black Paint
Bearing	Dual Ball Bearing, Permanently Lubricated
Operating Voltage Range	85VAC to 125VAC for 115V Type 185VAC to 245 VAC for 230V Type
Lead Wire	AWG# 18 UL
Insulation	Class "B" or "F"
Safety	Thermally Protected (Auto Restart)
Operating Temperature	-20°C to +70°C
Weight	1730g

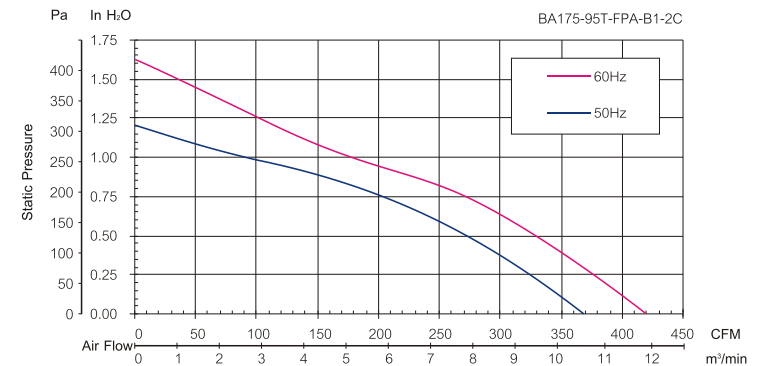


Item Code	Rated Voltage	Frequency (Hz)	Rated Current(A)	Input Power(W)	Speed (RPM)	Air Flow (CFM)	Air Flow (m³/min)	Static Pressure (inch-H ₂ O)	Noise dB(A)	Capacitor (µF)
BA1V175-95T-FPA-B1-2C	115V	50/60	0.43/0.61	49/67	2700/3050	371/419	10.5/11.9	1.19/1.61	61/64	8µF 200VAC
BA2V175-95T-FPA-B1-2C	230V	50/60	0.21/0.29	47/64	2720/3090	371/421	10.5/11.9	1.21/1.63	61/64	2µF 400VAC

Outline Drawing:



Characteristic Curves:





Ø180x54mm BA180-54T Series AC Centrifugal Fan



Specification:

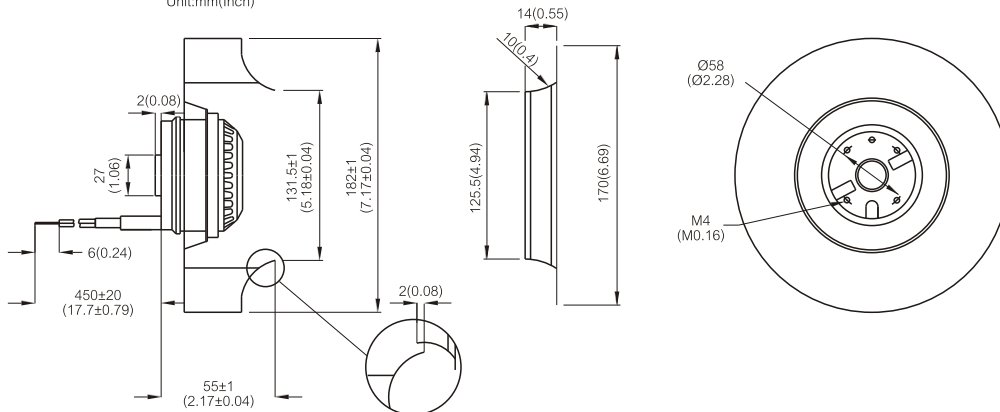
Air Flow	229 ~ 267 CFM
Impeller	Plastic PA (Polyamide Glass-fiber Reinforced)
Motor	Capacitor-Run Induction and External Rotor Motor
Rotor	Black Paint
Bearing	Dual Ball Bearing, Permanently Lubricated
Operating Voltage Range	85VAC to 125VAC for 115V Type 185VAC to 245 VAC for 230V Type
Lead Wire	AWG# 18 UL
Insulation	Class "B" or "F"
Safety	Thermally Protected (Auto Restart)
Operating Temperature	-20°C to +70°C
Weight	1300g



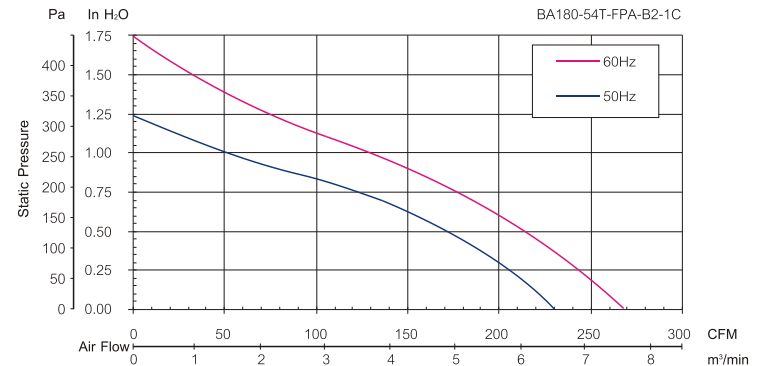
Item Code	Rated Voltage	Frequency (Hz)	Rated Current(A)	Input Power(W)	Speed (RPM)	Air Flow (CFM)	Air Flow (m³/min)	Static Pressure (inch-H ₂ O)	Noise dB(A)	Capacitor (µF)
BA1V180-54T-FPA-B2-1C	115V	50/60	0.55/0.51	54/58	2700/3150	230/266	6.5/7.5	1.25/1.74	64/67	6µF 200VAC
BA2V180-54T-FPA-B2-1C	230V	50/60	0.28/0.25	52/56	2700/3150	229/267	6.5/7.5	1.24/1.74	64/67	1.5µF 400VAC

Outline Drawing:

Unit:mm(Inch)



Characteristic Curves:





Ø180x85mm BA180-85T Series AC Centrifugal Fan



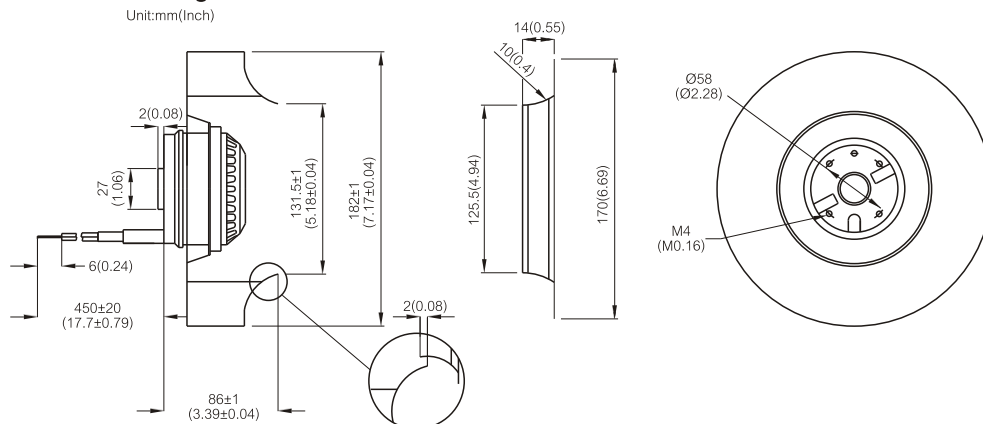
Specification:

Air Flow	387 ~ 426 CFM
Impeller	Plastic PA (Polyamide Glass-fiber Reinforced)
Motor	Capacitor-Run Induction and External Rotor Motor
Rotor	Black Paint
Bearing	Dual Ball Bearing, Permanently Lubricated
Operating Voltage Range	85VAC to 125VAC for 115V Type 185VAC to 245 VAC for 230V Type
Lead Wire	AWG# 18 UL
Insulation	Class "B" or "F"
Safety	Thermally Protected (Auto Restart)
Operating Temperature	-20°C to +70°C
Weight	1370g

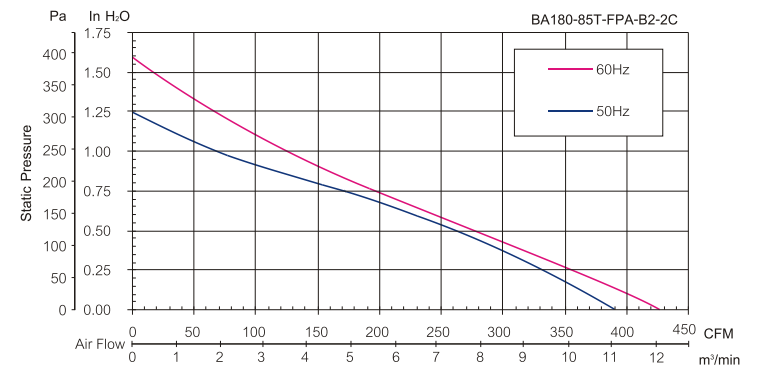


Item Code	Rated Voltage	Frequency (Hz)	Rated Current(A)	Input Power(W)	Speed (RPM)	Air Flow (CFM)	Air Flow (m³/min)	Static Pressure (inch-H ₂ O)	Noise dB(A)	Capacitor (µF)
BA1V180-85T-FPA-B2-2C	115V	50/60	0.66/0.80	73/91	2550/2800	387/426	11/12.1	1.22/1.58	62/64	8µF 200VAC
BA2V180-85T-FPA-B2-2C	230V	50/60	0.34/0.40	74/92	2550/2800	389/426	11/12.1	1.24/1.59	62/64	2µF 400VAC

Outline Drawing:



Characteristic Curves:





Ø190x69mm BA190-69T Series AC Centrifugal Fan



Specification:

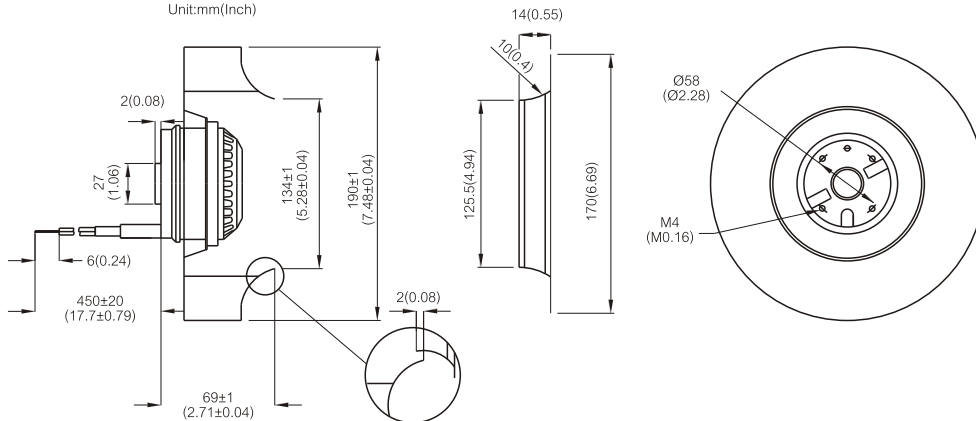
Air Flow	339 ~ 378 CFM
Impeller	Plastic PA (Polyamide Glass-fiber Reinforced)
Motor	Capacitor-Run Induction and External Rotor Motor
Rotor	Black Paint
Bearing	Dual Ball Bearing, Permanently Lubricated
Operating Voltage Range	85VAC to 125VAC for 115V Type 185VAC to 245 VAC for 230V Type
Lead Wire	AWG# 18 UL
Insulation	Class "B" or "F"
Safety	Thermally Protected (Auto Restart)
Operating Temperature	-20°C to +70°C
Weight	1360g



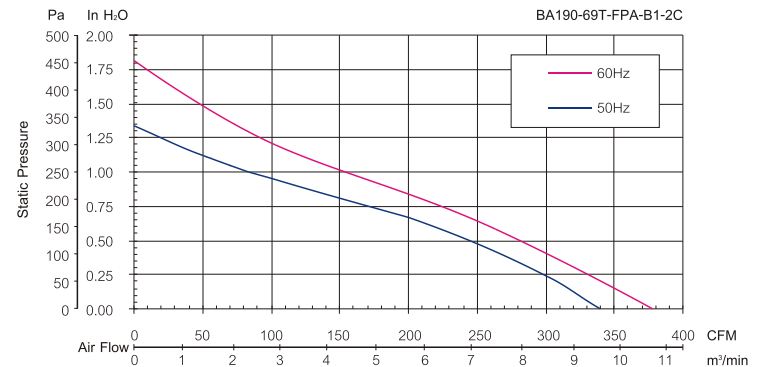
Item Code	Rated Voltage	Frequency (Hz)	Rated Current(A)	Input Power(W)	Speed (RPM)	Air Flow (CFM)	Air Flow (m³/min)	Static Pressure (inch-H ₂ O)	Noise dB(A)	Capacitor (µF)
BA1V190-69T-FPA-B1-2C	115V	50/60	0.54/0.64	60/73	2480/2750	339/376	9.6/10.6	1.34/1.81	63/66	8µF 200VAC
BA2V190-69T-FPA-B1-2C	230V	50/60	0.27/0.33	60/73	2490/2760	341/378	9.7/10.7	1.34/1.81	63/66	2µF 400VAC

Outline Drawing:

Unit:mm(Inch)



Characteristic Curves:





Ø190x84mm BA190-84T Series AC Centrifugal Fan



Specification:

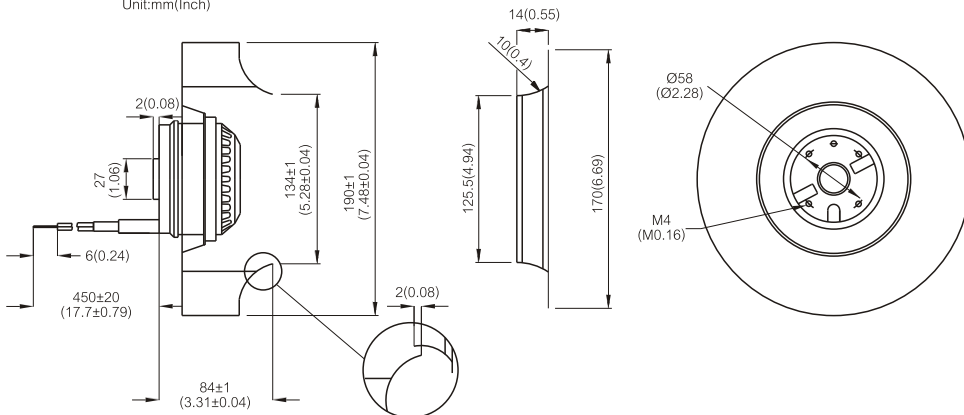
Air Flow	384 ~ 416CFM
Impeller	Plastic PA (Polyamide Glass-fiber Reinforced)
Motor	Capacitor-Run Induction and External Rotor Motor
Rotor	Black Paint
Bearing	Dual Ball Bearing, Permanently Lubricated
Operating Voltage Range	85VAC to 125VAC for 115V Type 185VAC to 245 VAC for 230V Type
Lead Wire	AWG# 18 UL
Insulation	Class "B" or "F"
Safety	Thermally Protected (Auto Restart)
Operating Temperature	-20°C to +70°C
Weight	1390g



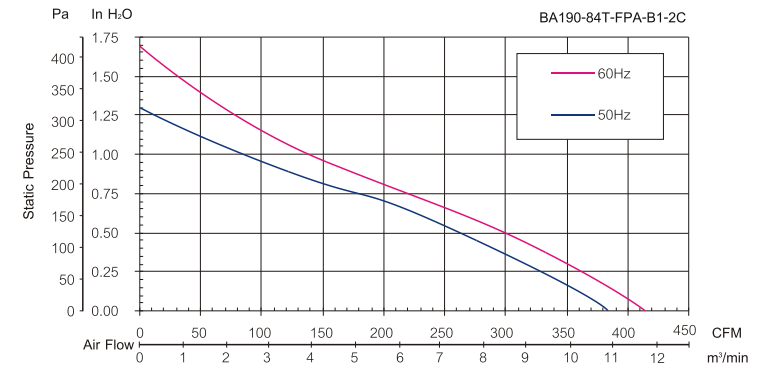
Item Code	Rated Voltage	Frequency (Hz)	Rated Current(A)	Input Power(W)	Speed (RPM)	Air Flow (CFM)	Air Flow (m³/min)	Static Pressure (inch-H ₂ O)	Noise dB(A)	Capacitor (µF)
BA1V190-84T-FPA-B1-2C	115V	50/60	0.54/0.65	60/74	2360/2560	384/416	10.8/11.7	1.30/1.70	62/65	8µF 200VAC
BA2V190-84T-FPA-B1-2C	230V	50/60	0.27/0.33	60/75	2370/2560	385/416	10.9/11.7	1.30/1.70	62/65	2µF 400VAC

Outline Drawing:

Unit:mm(Inch)



Characteristic Curves:



Ø190x95mm BA190-95T Series AC Centrifugal Fan



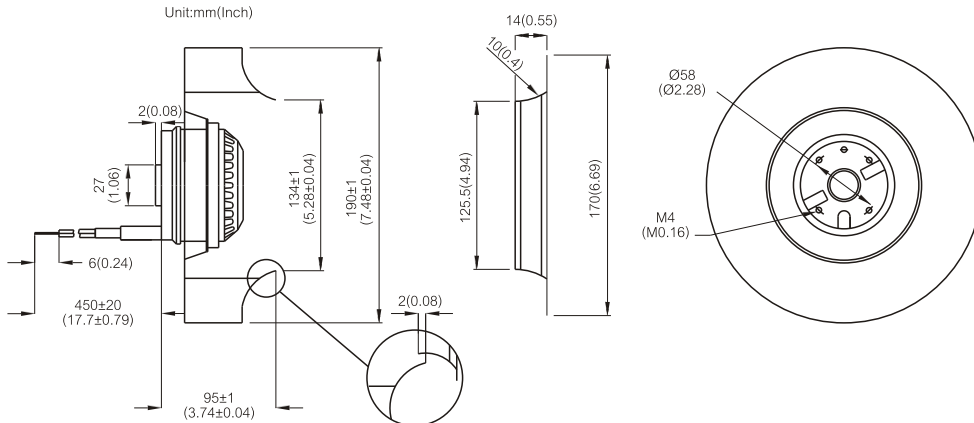
Specification:

Air Flow	410 ~ 451 CFM
Impeller	Plastic PA (Polyamide Glass-fiber Reinforced)
Motor	Capacitor-Run Induction and External Rotor Motor
Rotor	Black Paint
Bearing	Dual Ball Bearing, Permanently Lubricated
Operating Voltage Range	85VAC to 125VAC for 115V Type 185VAC to 245 VAC for 230V Type
Lead Wire	AWG# 18 UL
Insulation	Class "B" or "F"
Safety	Thermally Protected (Auto Restart)
Operating Temperature	-20°C to +70°C
Weight	1790g

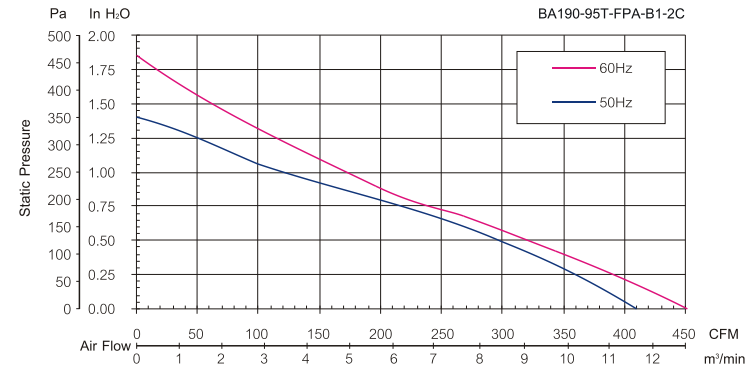


Item Code	Rated Voltage	Frequency (Hz)	Rated Current(A)	Input Power(W)	Speed (RPM)	Air Flow (CFM)	Air Flow (m³/min)	Static Pressure (inch-H ₂ O)	Noise dB(A)	Capacitor (µF)
BA1V190-95T-FPA-B1-2C	115V	50/60	0.50/0.70	57/77	2490/2660	411/451	11.7/12.8	1.40/1.85	65/67	10µF 200VAC
BA2V190-95T-FPA-B1-2C	230V	50/60	0.25/0.35	57/77	2470/2660	410/449	11.6/12.7	1.40/1.85	65/67	2.5µF 400VAC

Outline Drawing:



Characteristic Curves:





Ø220x71mm BA220-71T Series AC Centrifugal Fan

Specification:



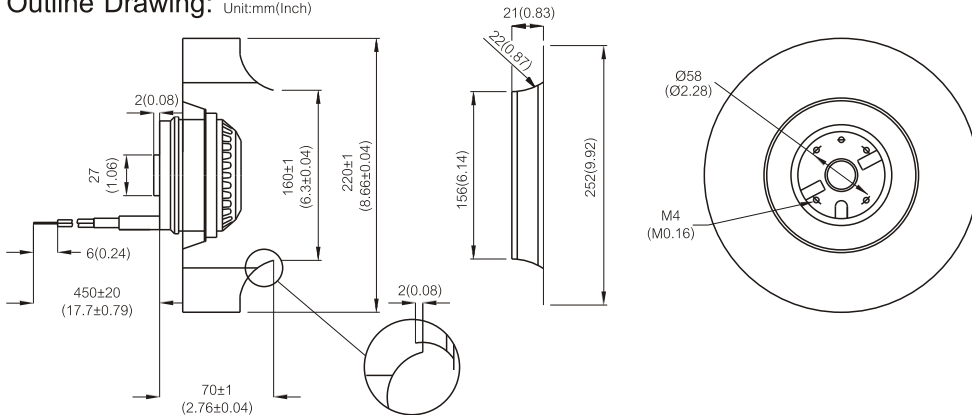
Air Flow	482 ~ 590CFM
Impeller	Plastic PA (Polyamide Glass-fiber Reinforced)
Motor	Capacitor-Run Induction and External Rotor Motor
Rotor	Black Paint
Bearing	Dual Ball Bearing, Permanently Lubricated
Operating Voltage Range	85VAC to 125VAC for 115V Type 185VAC to 245 VAC for 230V Type
Lead Wire	AWG# 18 UL
Insulation	Class "B" or "F"
Safety	Thermally Protected (Auto Restart)
Operating Temperature	-20°C to +70°C
Weight	1410g



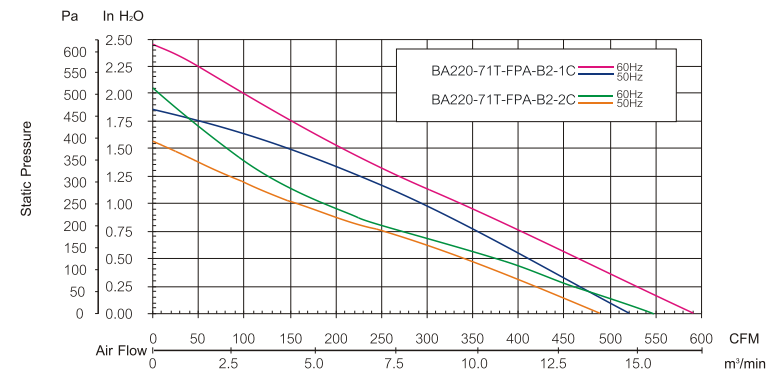
Item Code	Rated Voltage	Frequency (Hz)	Rated Current(A)	Input Power(W)	Speed (RPM)	Air Flow (CFM)	Air Flow (m³/min)	Static Pressure (inch-H ₂ O)	Noise dB(A)	Capacitor (µF)
BA1V220-71T-FPA-B2-1C ※	115V	50/60	0.89/0.92	87/105	2650/3000	509/586	14.4/16.6	1.81/2.45	72/73	10µF 200VAC
BA2V220-71T-FPA-B2-1C ※	230V	50/60	0.45/0.47	88/107	2650/3000	519/590	14.7/16.7	1.86/2.46	72/73	2.5µF 400VAC
BA1V220-71T-FPA-B2-2C	115V	50/60	0.77/0.79	82/91	2450/2750	482/545	13.7/15.4	1.57/2.05	66/67	8µF 200VAC
BA2V220-71T-FPA-B2-2C	230V	50/60	0.38/0.40	82/91	2450/2750	488/548	13.8/15.4	1.57/2.05	66/67	2µF 400VAC

If model with "※", without UL approval.

Outline Drawing: Unit:mm(Inch)



Characteristic Curves:





Ø225x69mm BA225-69T Series AC Centrifugal Fan

Specification:



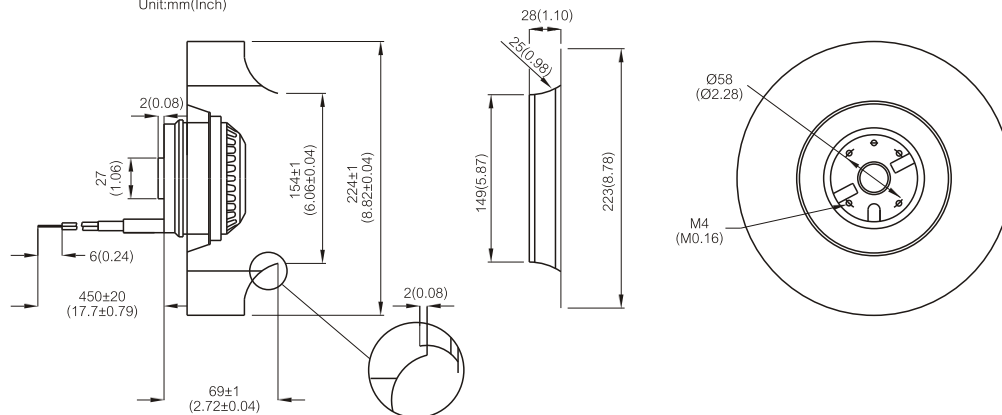
Air Flow	460 ~ 527 CFM
Impeller	Plastic PA (Polyamide Glass-fiber Reinforced)
Motor	Capacitor-Run Induction and External Rotor Motor
Rotor	Black Paint
Bearing	Dual Ball Bearing, Permanently Lubricated
Operating Voltage Range	85VAC to 125VAC for 115V Type 185VAC to 245 VAC for 230V Type
Lead Wire	AWG# 18 UL
Insulation	Class "B" or "F"
Safety	Thermally Protected (Auto Restart)
Operating Temperature	-20°C to +60°C
Weight	1420g



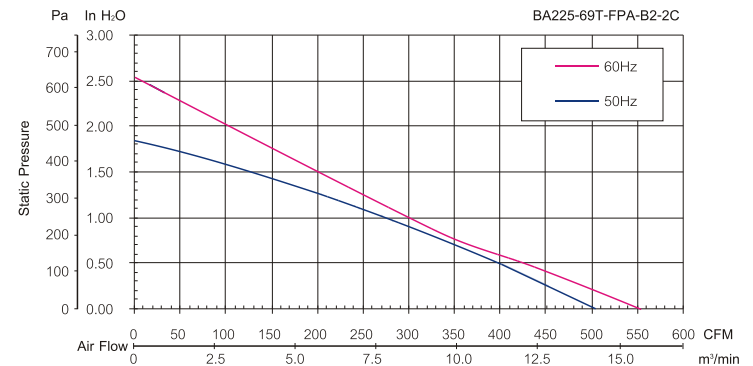
Item Code	Rated Voltage	Frequency (Hz)	Rated Current(A)	Input Power(W)	Speed (RPM)	Air Flow (CFM)	Air Flow (m³/min)	Static Pressure (inch-H ₂ O)	Noise dB(A)	Capacitor (µF)
BA1V225-69T-FPA-B2-2C	115V	50/60	0.92/0.99	94/113	2600/3000	460/526	13.0/14.9	1.96/2.67	68/71	12µF 200VAC
BA2V225-69T-FPA-B2-2C	230V	50/60	0.47/0.53	98/121	2600/3000	461/527	13.1/14.9	1.96/2.67	68/71	3µF 400VAC

Outline Drawing:

Unit:mm(Inch)



Characteristic Curves:





Ø225x85mm BA225-85T Series AC Centrifugal Fan



Specification:

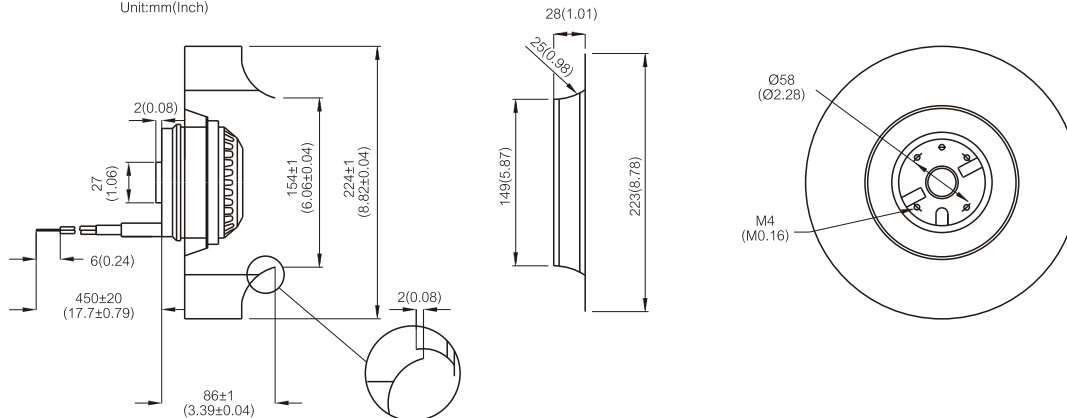
Air Flow	586 ~ 669CFM
Impeller	Plastic PA (Polyamide Glass-fiber Reinforced)
Motor	Capacitor-Run Induction and External Rotor Motor
Rotor	Black Paint
Bearing	Dual Ball Bearing, Permanently Lubricated
Operating Voltage Range	85VAC to 125VAC for 115V Type 185VAC to 245 VAC for 230V Type
Lead Wire	AWG# 18 UL
Insulation	Class "B" or "F"
Safety	Thermally Protected (Auto Restart)
Operating Temperature	-20°C to +60°C
Weight	1960g



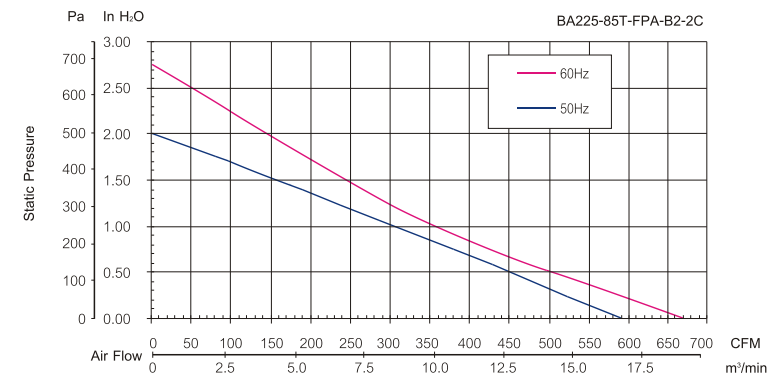
Item Code	Rated Voltage	Frequency (Hz)	Rated Current(A)	Input Power(W)	Speed (RPM)	Air Flow (CFM)	Air Flow (m³/min)	Static Pressure (inch-H ₂ O)	Noise dB(A)	Capacitor (µF)
BA1V225-85T-FPA-B2-2C	115V	50/60	1.08/1.20	112/136	2600/2950	586/669	16.6/19.0	1.99/2.71	68/71	12µF 200VAC
BA2V225-85T-FPA-B2-2C	230V	50/60	0.55/0.60	113/136	2600/2950	587/669	16.7/19.0	2.00/2.73	68/71	3µF 400VAC

Outline Drawing:

Unit:mm(Inch)



Characteristic Curves:



Ø225x99mm BA225-99T Series AC Centrifugal Fan



Specification:

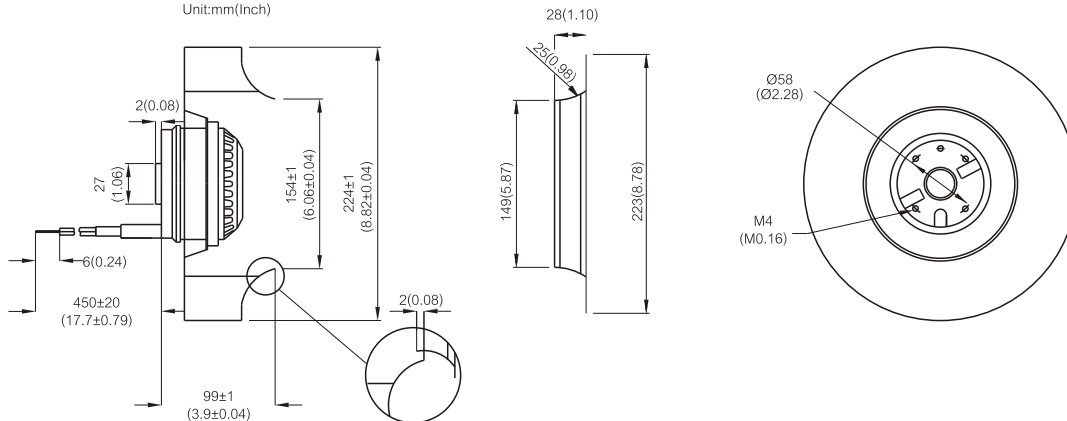
Air Flow	682 ~ 772 CFM
Impeller	Plastic PA (Polyamide Glass-fiber Reinforced)
Motor	Capacitor-Run Induction and External Rotor Motor
Rotor	Black Paint
Bearing	Dual Ball Bearing, Permanently Lubricated
Operating Voltage Range	85VAC to 125VAC for 115V Type 185VAC to 245 VAC for 230V Type
Lead Wire	AWG# 18 UL
Insulation	Class "B" or "F"
Safety	Thermally Protected (Auto Restart)
Operating Temperature	-20°C to +60°C
Weight	2370g



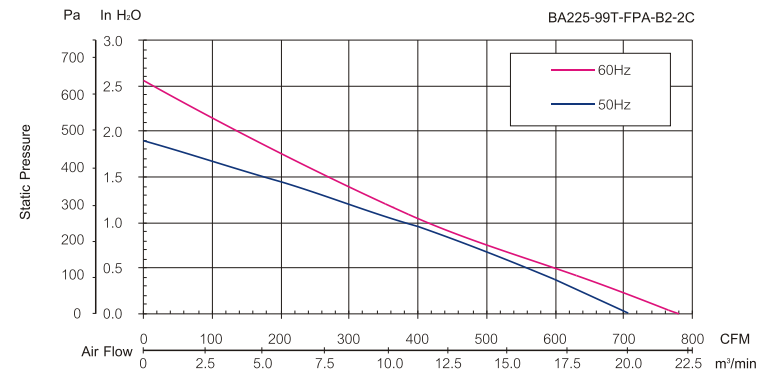
Item Code	Rated Voltage	Frequency (Hz)	Rated Current(A)	Input Power(W)	Speed (RPM)	Air Flow (CFM)	Air Flow (m³/min)	Static Pressure (inch-H ₂ O)	Noise dB(A)	Capacitor (µF)
BA1V225-99T-FPA-B2-2C	115V	50/60	1.22/1.47	130/168	2600/2950	682/770	19.3/21.8	2.10/2.85	69/71	16µF 200VAC
BA2V225-99T-FPA-B2-2C	230V	50/60	0.59/0.74	127/168	2600/2950	683/772	19.3/21.9	2.11/2.86	69/73	4µF 400VAC

Outline Drawing:

Unit:mm(Inch)



Characteristic Curves:





Ø225x107mm BA225-107T Series AC Centrifugal Fan



Specification:

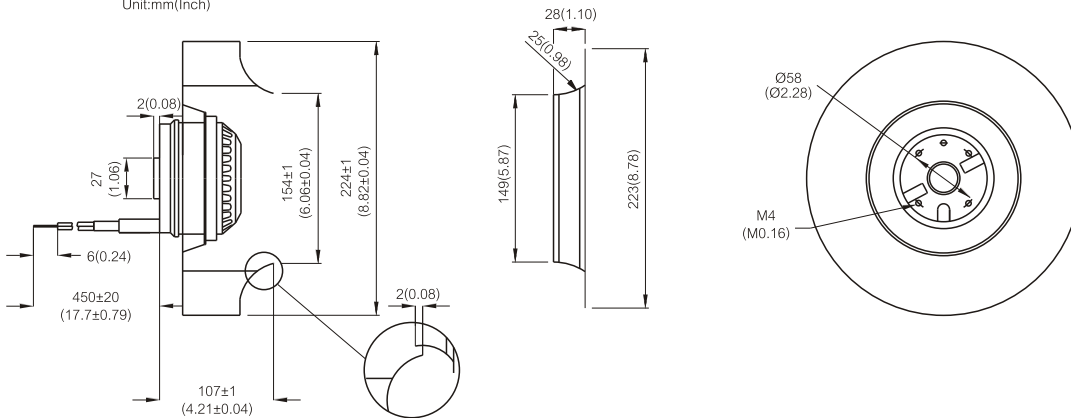
Air Flow	711 ~ 807CFM
Impeller	Plastic PA (Polyamide Glass-fiber Reinforced)
Motor	Capacitor-Run Induction and External Rotor Motor
Rotor	Black Paint
Bearing	Dual Ball Bearing, Permanently Lubricated
Operating Voltage Range	85VAC to 125VAC for 115V Type 185VAC to 245 VAC for 230V Type
Lead Wire	AWG# 18 UL
Insulation	Class "B" or "F"
Safety	Thermally Protected (Auto Restart)
Operating Temperature	-20°C to +60°C
Weight	2370g



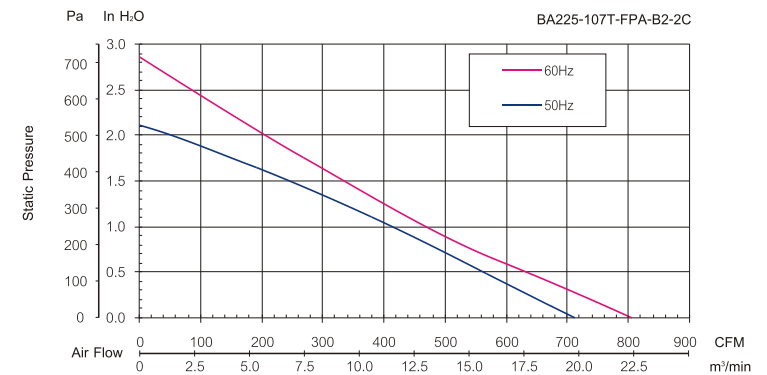
Item Code	Rated Voltage	Frequency (Hz)	Rated Current(A)	Input Power(W)	Speed (RPM)	Air Flow (CFM)	Air Flow (m³/min)	Static Pressure (inch-H ₂ O)	Noise dB(A)	Capacitor (µF)
BA1V225-107T-FPA-B2-2C	115V	50/60	1.18/1.44	125/164	2600/2950	711/804	20.1/22.8	2.11/2.85	69/73	16µF 200VAC
BA2V225-107T-FPA-B2-2C	230V	50/60	0.58/0.73	125/165	2600/2950	711/807	20.1/22.9	2.12/2.87	69/73	4µF 400VAC

Outline Drawing:

Unit:mm(Inch)



Characteristic Curves:



Ø250x89mm BA250-89T Series AC Centrifugal Fan



Specification:

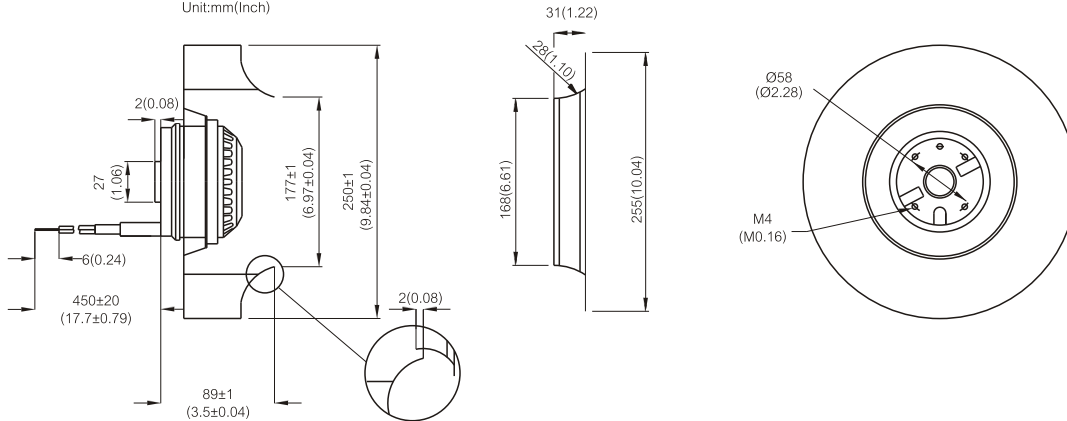
Air Flow	700 ~ 774 CFM
Impeller	Plastic PA (Polyamide Glass-fiber Reinforced)
Motor	Capacitor-Run Induction and External Rotor Motor
Rotor	Black Paint
Bearing	Dual Ball Bearing, Permanently Lubricated
Operating Voltage Range	85VAC to 125VAC for 115V Type 185VAC to 245 VAC for 230V Type
Lead Wire	AWG# 18 UL
Insulation	Class "B" or "F"
Safety	Thermally Protected (Auto Restart)
Operating Temperature	-20°C to +60°C
Weight	2370g



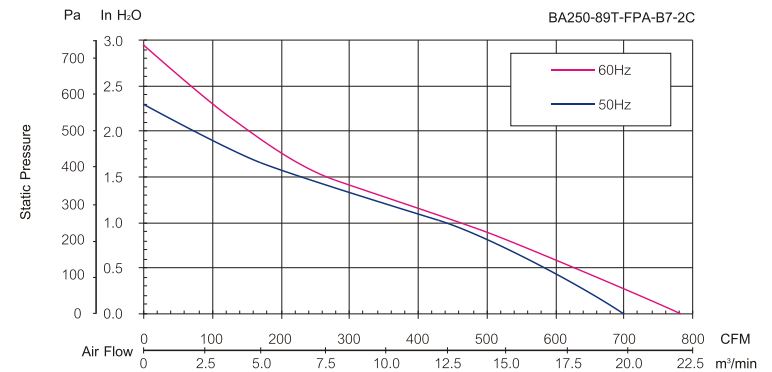
Item Code	Rated Voltage	Frequency (Hz)	Rated Current(A)	Input Power(W)	Speed (RPM)	Air Flow (CFM)	Air Flow (m³/min)	Static Pressure (inch-H ₂ O)	Noise dB(A)	Capacitor (μF)
BA1V250-89T-FPA-B7-2C	115V	50/60	1.05/1.45	118/158	2550/2800	700/761	19.8/21.6	2.29/2.92	70/73	16μF 200VAC
BA2V250-89T-FPA-B7-2C	230V	50/60	0.52/0.73	116/158	2550/2800	702/774	19.9/21.9	2.29/2.96	70/73	4μF 400VAC

Outline Drawing:

Unit:mm(Inch)



Characteristic Curves:





Ø250x99mm BA250-99T Series AC Centrifugal Fan



Specification:

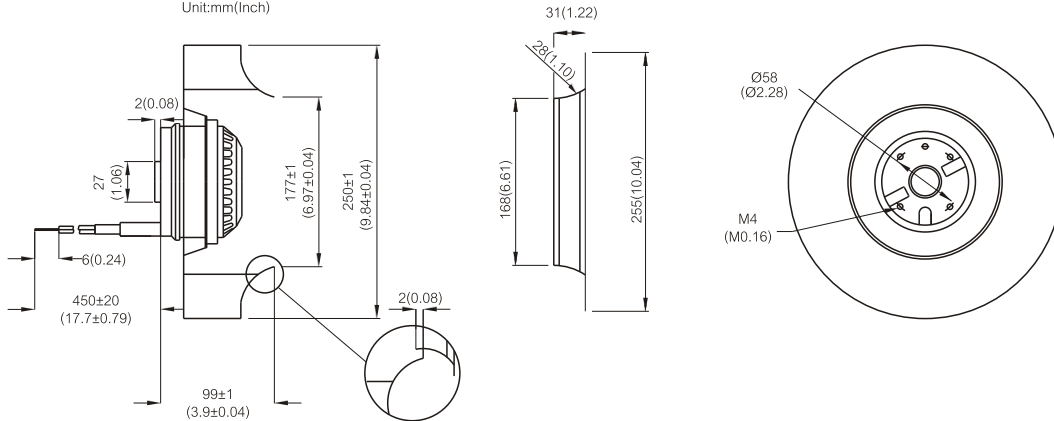
Air Flow	824 ~ 909 CFM
Impeller	Plastic PA (Polyamide Glass-fiber Reinforced)
Motor	Capacitor-Run Induction and External Rotor Motor
Rotor	Black Paint
Bearing	Dual Ball Bearing, Permanently Lubricated
Operating Voltage Range	85VAC to 125VAC for 115V Type 185VAC to 245 VAC for 230V Type
Lead Wire	AWG# 18 UL
Insulation	Class "B" or "F"
Safety	Thermally Protected (Auto Restart)
Operating Temperature	-20°C to +60°C
Weight	2670g



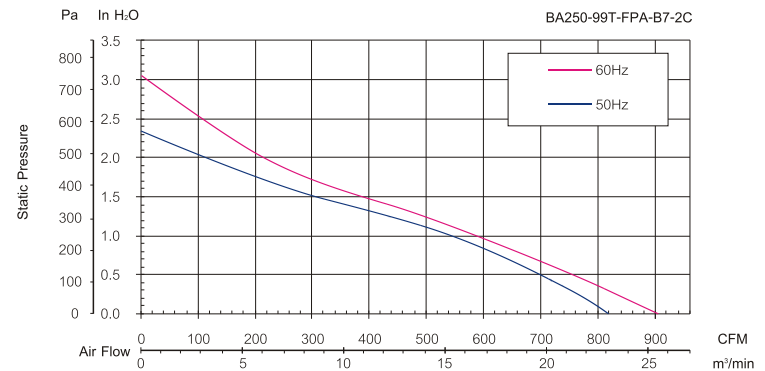
Item Code	Rated Voltage	Frequency (Hz)	Rated Current(A)	Input Power(W)	Speed (RPM)	Air Flow (CFM)	Air Flow (m³/min)	Static Pressure (inch-H ₂ O)	Noise dB(A)	Capacitor (µF)
BA1V250-99T-FPA-B7-2C	115V	50/60	1.35/1.86	152/207	2550/2800	824/909	23.3/25.7	2.40/3.09	72/75	20µF 200VAC
BA2V250-99T-FPA-B7-2C	230V	50/60	0.68/0.94	151/207	2550/2800	824/909	23.3/25.7	2.37/3.07	74/75	5µF 400VAC

Outline Drawing:

Unit:mm(Inch)



Characteristic Curves:



Ø250x112mm BA250-112T Series AC Centrifugal Fan



Specification:

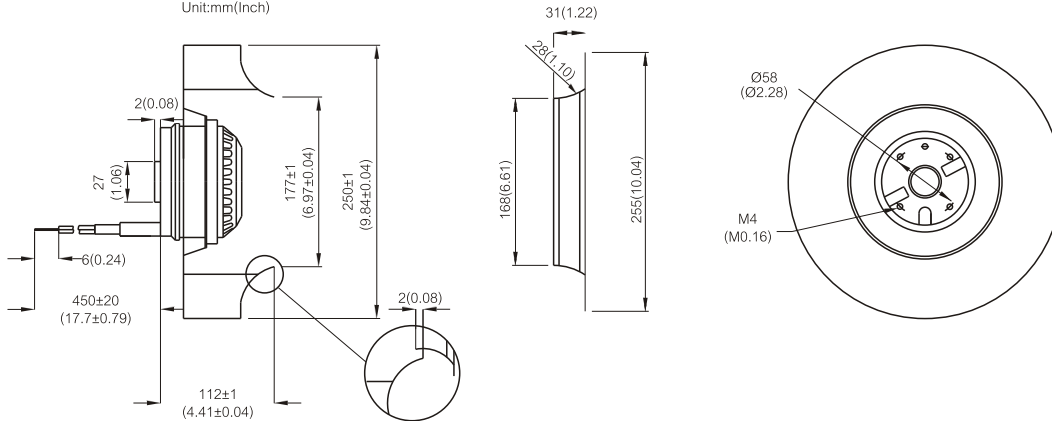
Air Flow	945 ~ 1024 CFM
Impeller	Plastic PA (Polyamide Glass-fiber Reinforced)
Motor	Capacitor-Run Induction and External Rotor Motor
Rotor	Black Paint
Bearing	Dual Ball Bearing, Permanently Lubricated
Operating Voltage Range	85VAC to 125VAC for 115V Type 185VAC to 245 VAC for 230V Type
Lead Wire	AWG# 18 UL
Insulation	Class "B" or "F"
Safety	Thermally Protected (Auto Restart)
Operating Temperature	-20°C to +60°C
Weight	2700g



Item Code	Rated Voltage	Frequency (Hz)	Rated Current(A)	Input Power(W)	Speed (RPM)	Air Flow (CFM)	Air Flow (m³/min)	Static Pressure (inch-H ₂ O)	Noise dB(A)	Capacitor (µF)
BA1V250-112T-FPA-B7-2C	115V	50/60	1.44/1.98	164/222	2500/2700	945/1011	26.8/28.6	2.41/3.08	74/75	20µF 200VAC
BA2V250-112T-FPA-B7-2C	230V	50/60	0.72/0.98	164/220	2500/2700	947/1024	26.8/29.0	2.42/3.06	74/75	5µF 400VAC

Outline Drawing:

Unit:mm(Inch)



Characteristic Curves:

